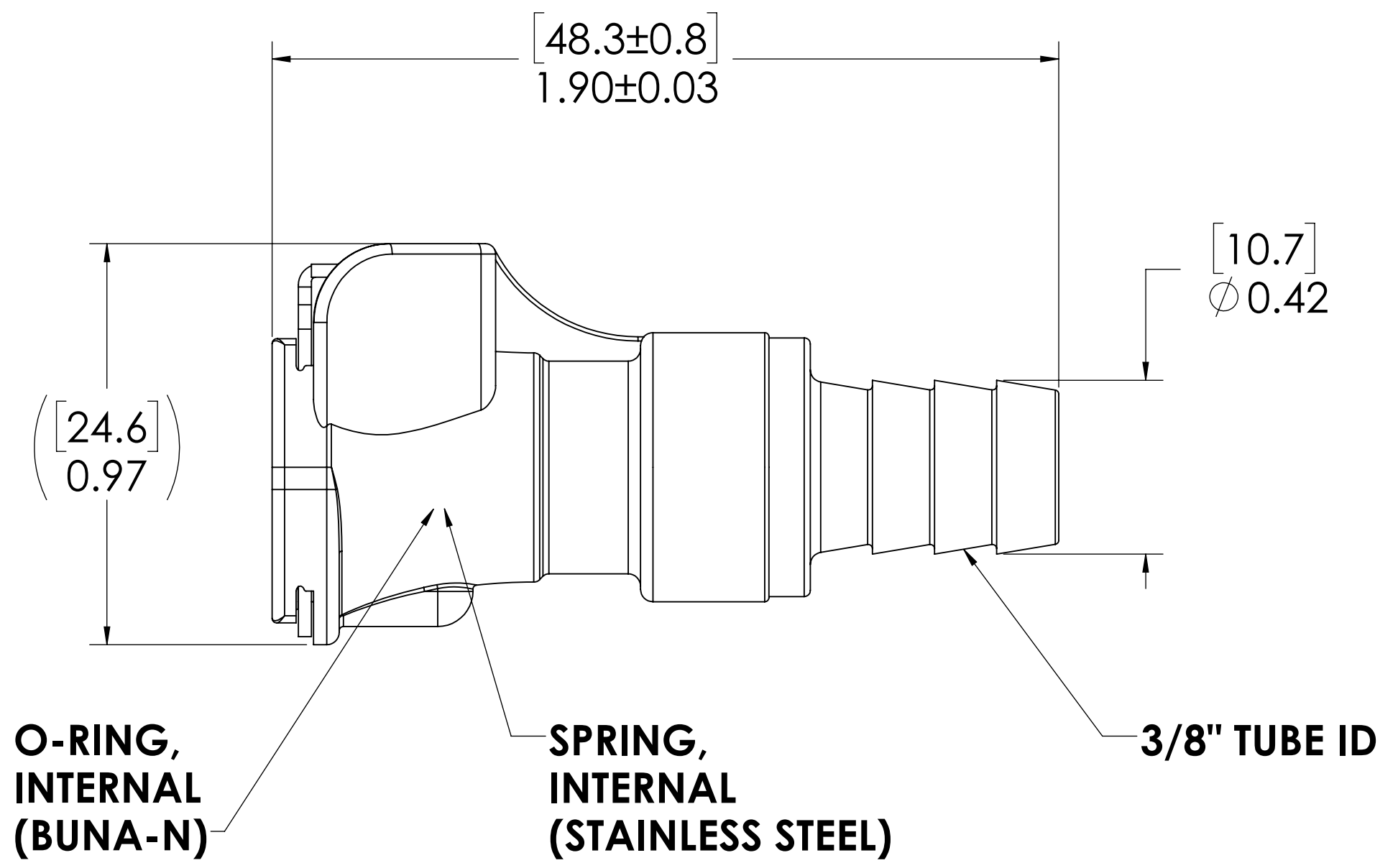
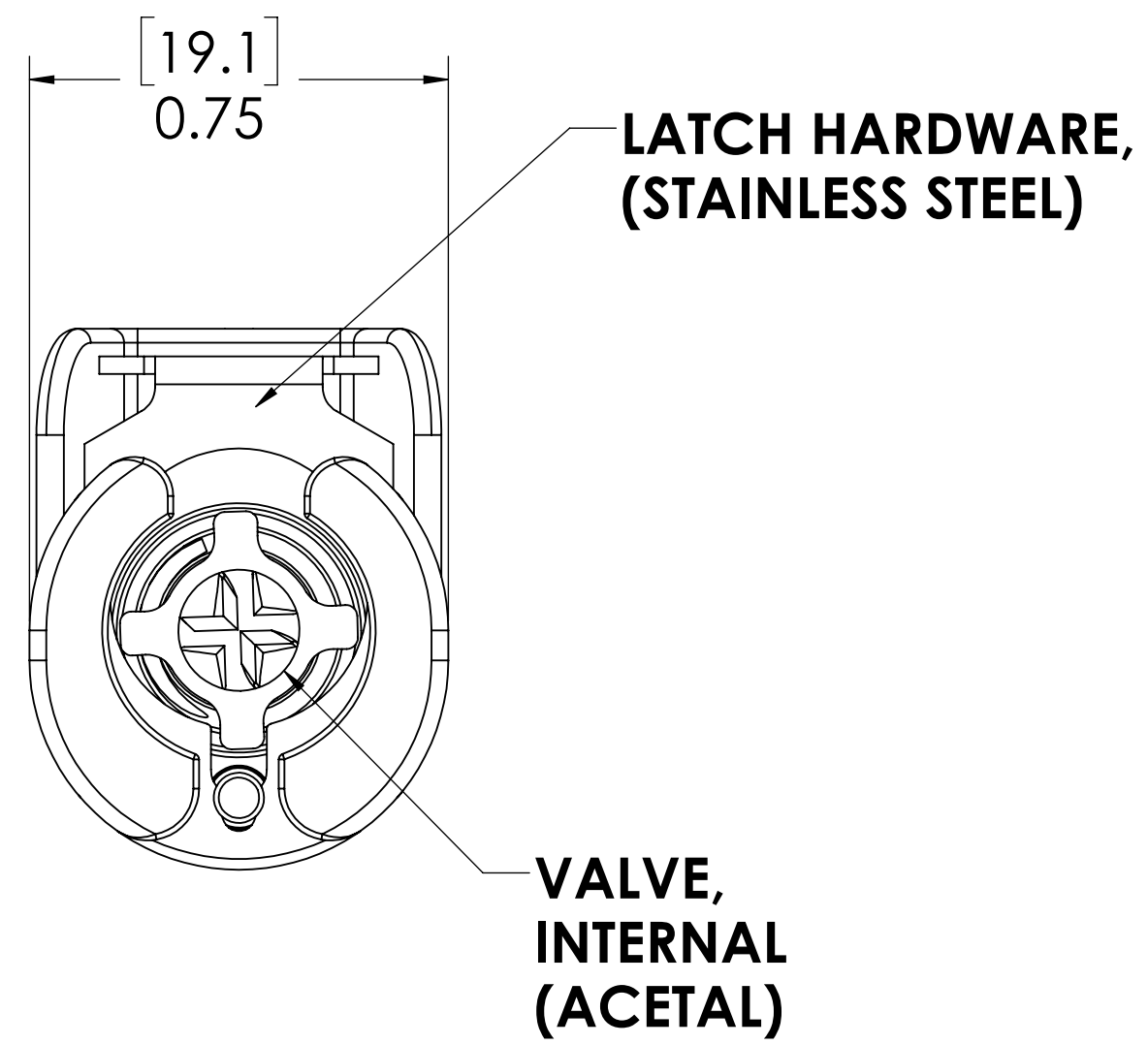
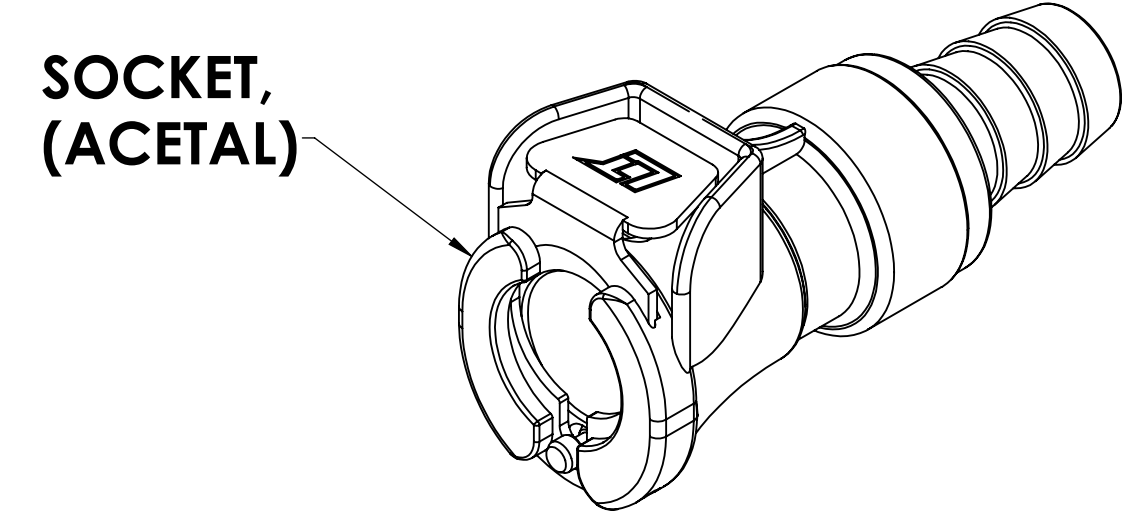


REVISIONS						
SHEET	ZONE	REV.	ECO	DESCRIPTION	DATE	APPROVED
1	ALL	A	50242	FORMAT, PIN SPRING AND PIN UPDATE	10/25/2017	HRC



NOTES:

1. MATERIAL: ACETAL
2. COLOR: NATURAL WHITE
3. O-RING MATERIAL: BUNA-N
4. O-RINGS LUBRICATED WITH FOOD GRADE SILICONE OIL, 350 CST.

FOR REFERENCE ONLY

<small>UNLESS OTHERWISE SPECIFIED: DIMENSIONS ARE IN INCHES TOLERANCES: FRACTIONAL ± 1/32 ANGULAR, MACH ± 0.5 BEND ± 2 ONE PLACE DECIMAL ± 0.1 TWO PLACE DECIMAL ± 0.01 THREE PLACE DECIMAL ± 0.005 TWO PLACE DUAL (mm) [± 0.12]</small>	DRAWN	RDA	DATE		
	CHECKED	HRC	7/7/2017		
	ENG APPR.	HRC	10/25/17		
	MFG APPR.	BDB	10/25/17		
PROPRIETARY AND CONFIDENTIAL	Q.A.	JJB	10/25/17	PART NO: 40ACV-SB2-06 DESCRIPTION: LinkTech 40AC Series Straight Female, Valved, 375 HB, Natural Acetal	
<small>THE INFORMATION CONTAINED IN THIS DRAWING IS THE SOLE PROPERTY OF LINKTECH LLC. ANY REPRODUCTION OR DISCLOSURE IN PART OR AS A WHOLE WITHOUT THE WRITTEN PERMISSION OF LINKTECH LLC IS STRICTLY PROHIBITED.</small>			COMMENTS:		
SIZE	DWG. NO.	REV			
C	40AC400210	A	SCALE: NTS	WEIGHT:	SHEET 1 OF 1